



This range of light weight all GRP, flameproof sounders intended for use in potentially explosive atmospheres has been designed with high ingress protection to cope with the harsh environmental conditions found offshore and onshore in the oil, gas and petrochemical industries.

The flameproof alarm sounders are suitable for Zone 1 & Zone 2 applications. Sound level outputs are up to 117dB(A) at 1 metre with a choice of 32 alarm tones and 3 remotely selectable stages. The BEx range features enclosures manufactured from corrosion proof, marine grade copper free LM6 aluminium which is phosphated and powder coated. The re-entrant flare horns are high impact, fire retardant ABS. All models have two M20 cable entries, large termination areas containing in & out terminals (Ex de version only) and an ingress protection of IP66/67 (Ex d) and IP66 (Ex de).

- **Zone 1 and Zone 2 use**
- **Ratchet adjustable stainless steel 'U' bracket**
- **Voltages DC: 12vdc, 24vdc, 48vdc**
- **Voltages AC: 115vac, 230vac**
- **Marine grade copper free LM6 Aluminium**
- **Phosphated & powder coated finish-anti-corrosion**
- **Automatic synchronisation on multi-sounder system**
- **32 Tones comply with UKOOA/PFEER guidelines**
- **IP66 and IP67**
- **RAL3000 Red colour**
- **Dual M20 ISO cable entry**
- **0.5 to 4.00mm² cables**
- **3 remotely selectable stages**

An optional Exe terminal chamber is available.

An uncertified version is available for use in non-explosive atmospheres.

Ex Sounder - Technical Specifications

Certification:

ATEX Cert.: KEMA 99ATEX6312

IECEX Cert.: IECEX KEM 10.0003

Inmetro Cert.: 10-IEEx-0009

GOST-R cert.: POCC GB.ГБ05.В03365

Zone 1 and Zone 2

Material:

Marine grade copper free LM6 Aluminium and ratchet adjustable stainless steel 'U' bracket

Finish:

Phosphated & powder coated finish-anti-corrosion.

Sound Output:

Maximum output: @ 1 metre 117dBA

Nominal output@ 1m +/- 3dB (tone specific) 110dBA

Effective range 100m @ 1KHz

Weight:

AC Models: 3.2kg

DC Models: 3.00kg

Operating Temperature:

-50° C to +70° C

Ingress Protection:

IP66 and IP67

Voltage:

See below (ordering requirements)

Terminals:

0.5 to 4.0mm² cables

Mounting:

The sounder should be securely bolted to a suitable surface using the 7mm diameter boltholes in the stainless steel 'U' shaped mounting bracket

Labels:

All units have a rating label

Entries:

See below (ordering requirements)

Tone Selection:

32 different selectable tones

Current Consumption:

12V dc 750mA

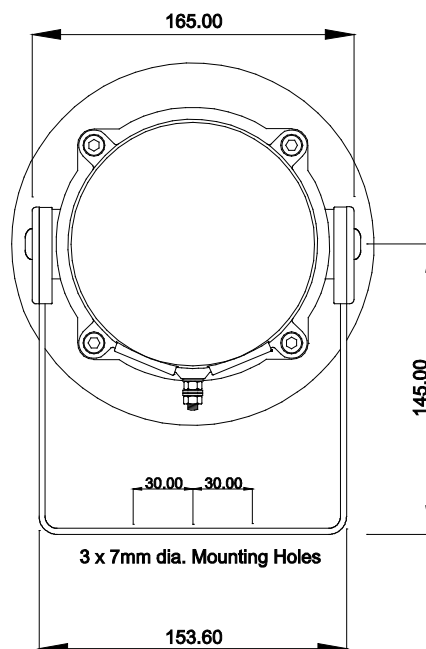
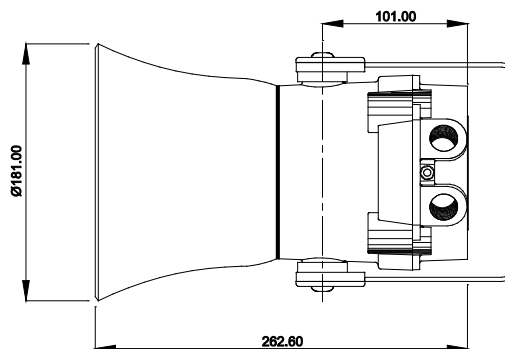
24V dc 300mA

48V dc 180mA

115V ac 140mA

230V ac 55mA

Dimensions



Ordering Requirements

Part Number	Voltage	Glands
BEXS110D48DC	48V dc	M20 x 2
BEXS110D115AC	115V ac	M20 x 2
BEXS110D230AC	230V ac	M20 x 2
BEXS110D24DC	24V dc	M20 x 2

NOTE: For other voltage options please contact GAI-Tronics

www.gai-tronics.co.uk



UK: Tel: +44 (0) 1283 500500
 USA: Tel: +1 (610) 777-1374
 Italy: Tel: +39 02 4860 1460
 Malaysia: Tel: +60-3-8945-4035
 Australia: Tel: +61-28-851-5000

www.gai-tronics.co.uk
www.gai-tronics.com
www.gai-tronics.it
www.gai-tronics.com
www.austdac.com.au

